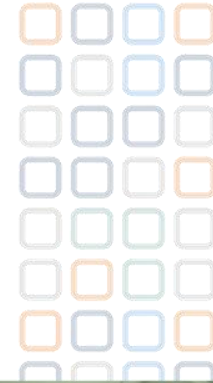
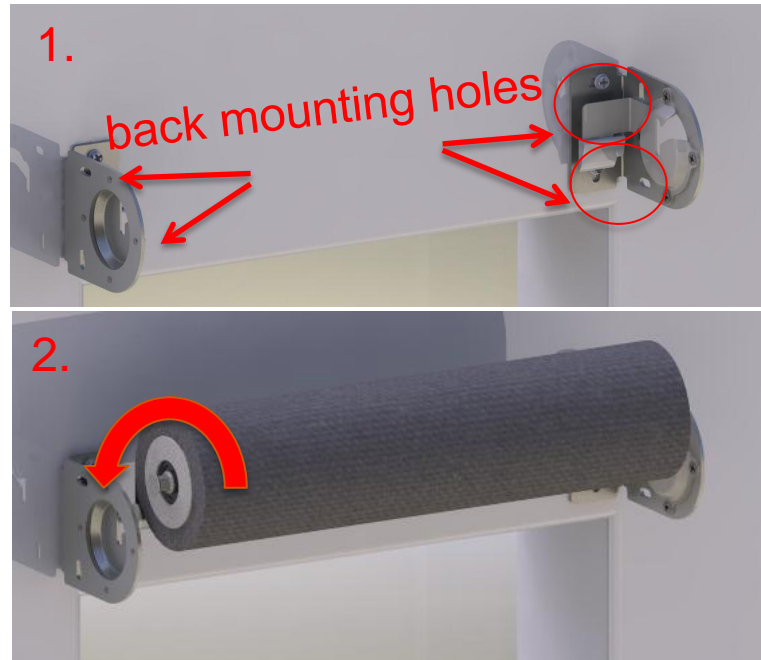


Qmotion™



UNIVERSAL BRACKET INSTALLATION NO FASCIA

INSTALLATION TYPE OUTSIDE MOUNT STANDARD ROLL



1. Install mounting brackets using supplied screws for outside mount STANDARD roll using back mount holes. Measure/mark/pre-drill to center brackets over the window opening. Use the bracket to bracket dimension to set the width.
2. After secure installation of mounting brackets install roller shade in position as shown in figure 2. Note: Figure 3 shows proper shade to mounting bracket engagement.

INSTALLATION TYPE OUTSIDE MOUNT STANDARD ROLL

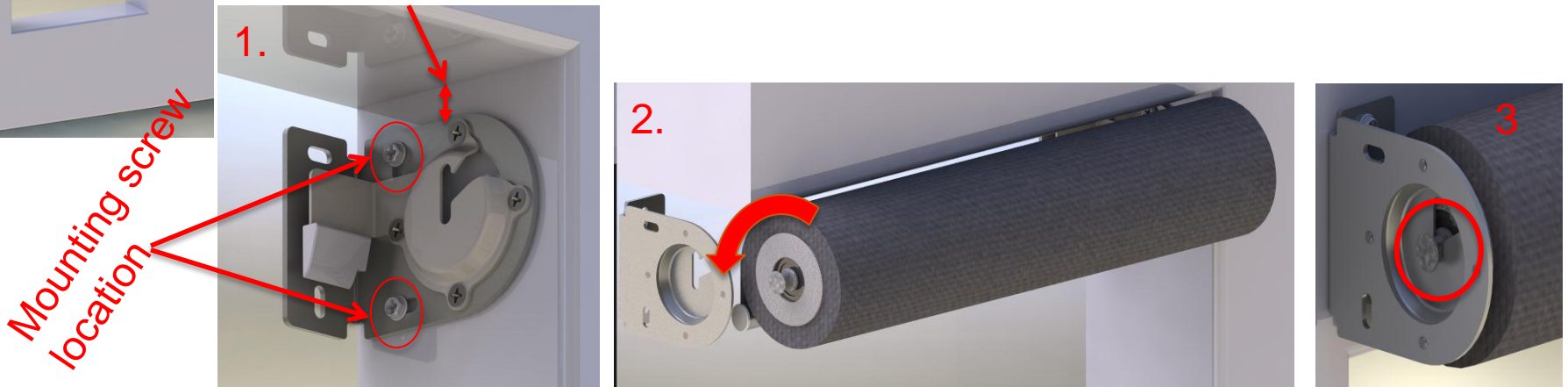


4. After securely loading shade into mounting brackets and checking for proper engagement slide bracket decorative end caps unto brackets as shown.

INSTALLATION TYPE INSIDE MOUNT STANDARD ROLL

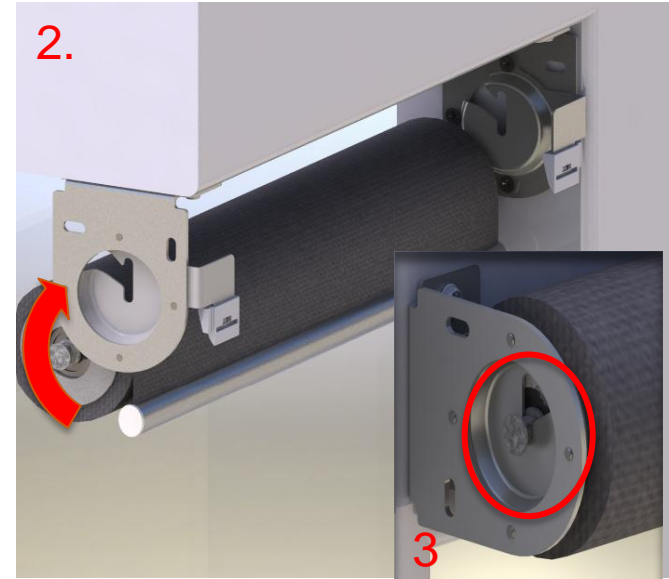
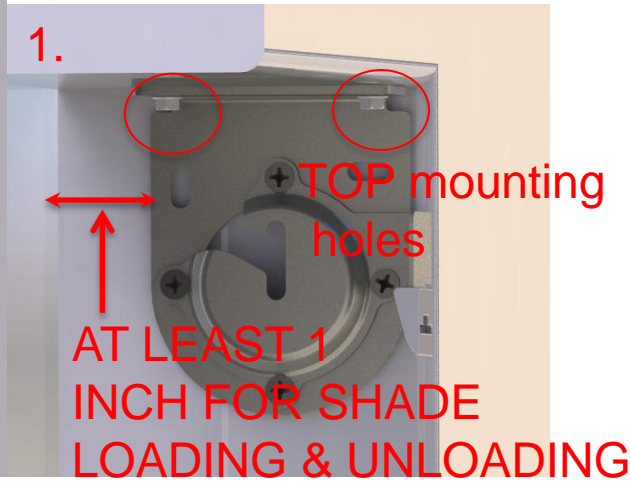
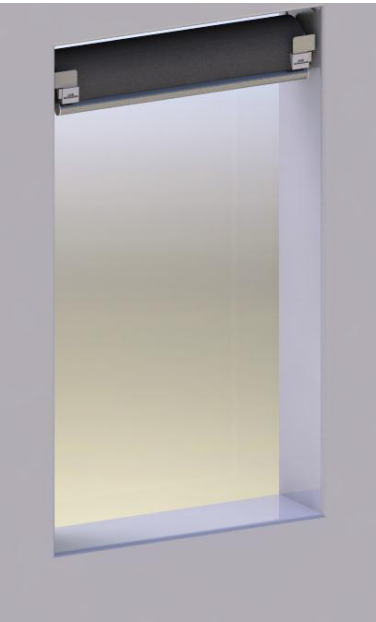


Position edge of bracket
1/2 in. from top structure of
Window frame



1. Install mounting brackets using supplied screws for inside mount STANDARD roll using back or side mount holes. Measure/mark/pre-drill to locate brackets in the window opening. Use the bracket to bracket dimension to set the width.
2. After secure installation of mounting brackets install roller shade in position as shown in figure 2. Note: Figure 3 shows proper shade to mounting bracket engagement.

INSTALLATION TYPE INSIDE MOUNT REVERSE ROLL



1. Install mounting brackets using supplied screws for outside mount using top mount holes. Measure/mark/pre-drill and install brackets in the window opening. Note: Be sure to have at least 1.0 from back edge of bracket to any obstruction so that roller shade can be loaded into brackets.
2. After secure installation of mounting brackets install roller shade in position as shown in figure 2. Note: Figure 3 shows proper shade to mounting bracket engagement.